

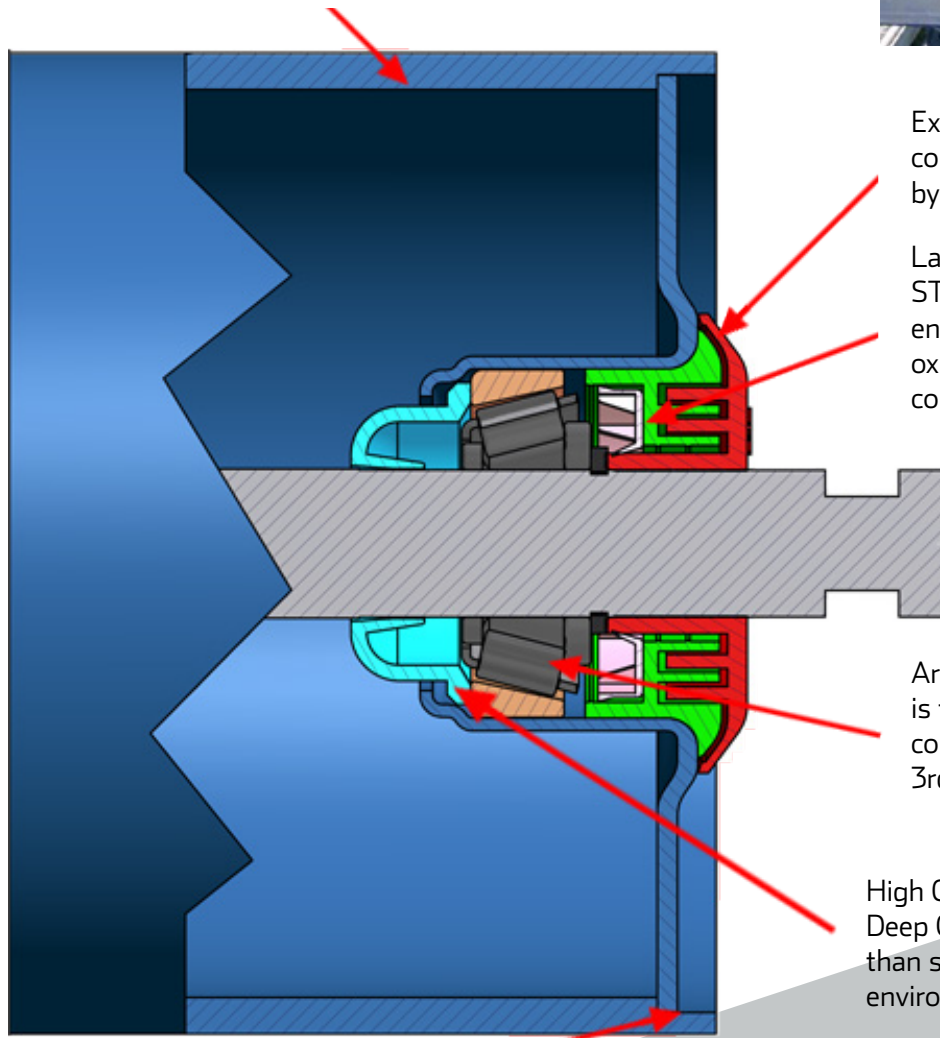
## TROUGHING IDLER

HEAVY DUTY BELTING  
INDUSTRIAL SHEET RUBBER  
LIGHTWEIGHT BELTING  
AG BELTING

### Applications:

- System component for conveyor structure used for moving bulk materials.
- Modify your troughing angle to maximum material transport based on belt speed and material characteristics.

Available in 1/4" wall and 7 or 9 Gg tube. ASTM 513 Specified Steel Tube with tight tolerance on Ovality, OD, and Straightness. Also, ask us about our 9 gauge light-duty product line.



External Labyrinth Seal diverts contaminants away from bearing cavity by centrifugal force.

Labyrinth Seal Kit is packed with Renolit ST-80 grease to retard contaminants from entering bearing cavity, and also carries oxidation inhibitors to eliminate possible corrosion due to metal condensation.

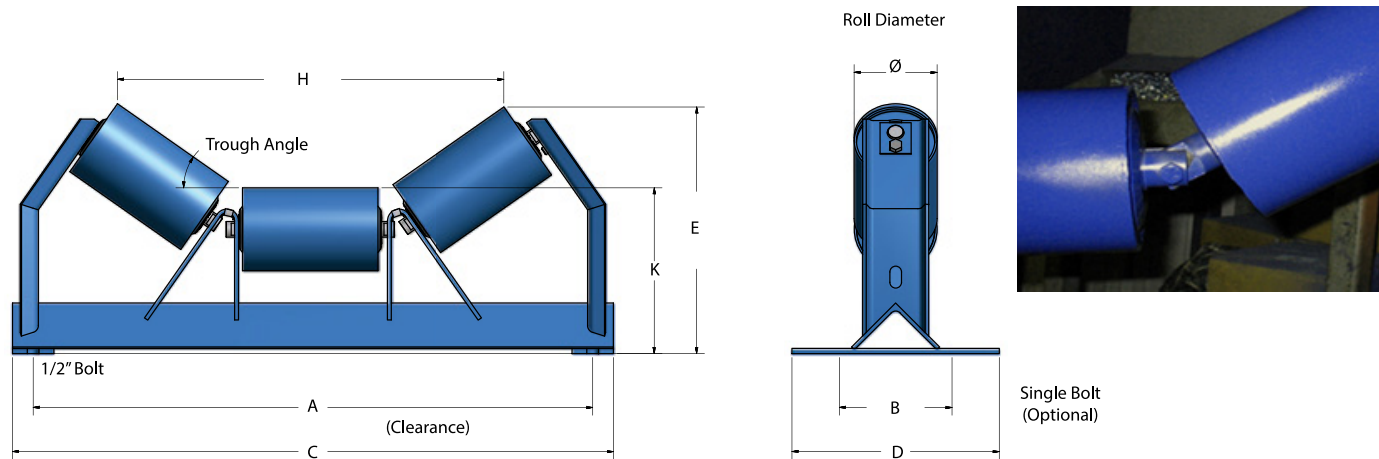
Area behind the inner labyrinth seal is filled with Uniwirl 2 Grease (lithium complex) to prevent oxidation, and provide 3rd layer of protection to the bearing.

High Capacity Permanently Sealed 6306 Deep Groove Ball Bearing with 25% more than standard grease fill for harsh conveyor environment application.

Custom Bearing Cavity design to produce idlers with minimal TIR.

## TROUGHING IDLER

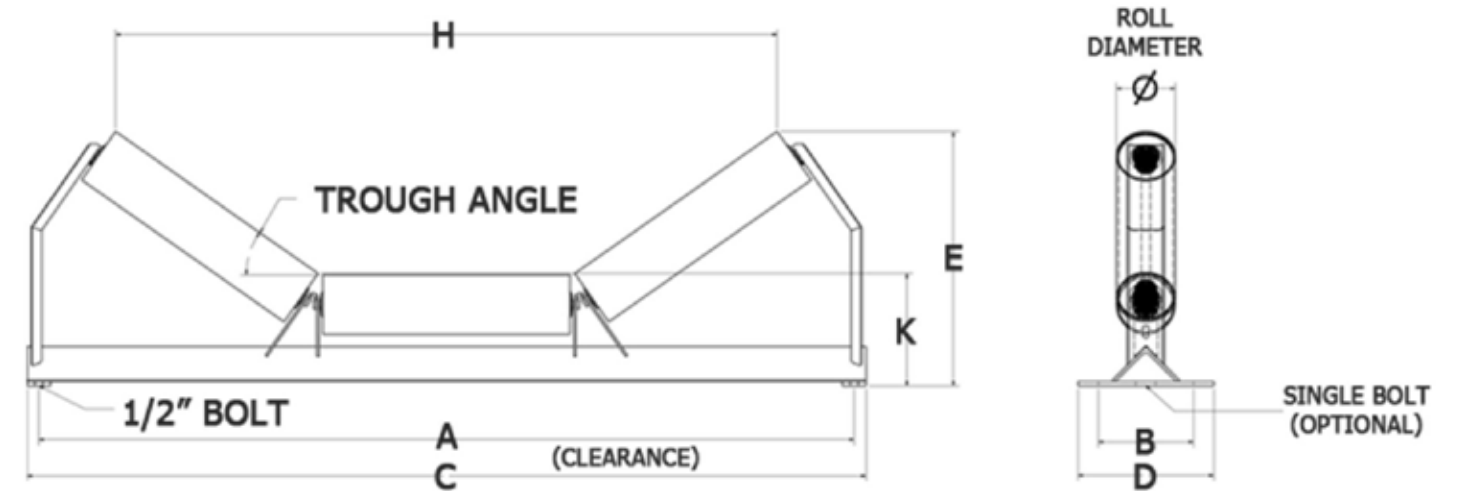
HEAVY DUTY BELTING  
INDUSTRIAL SHEET RUBBER  
LIGHTWEIGHT BELTING  
AG BELTING



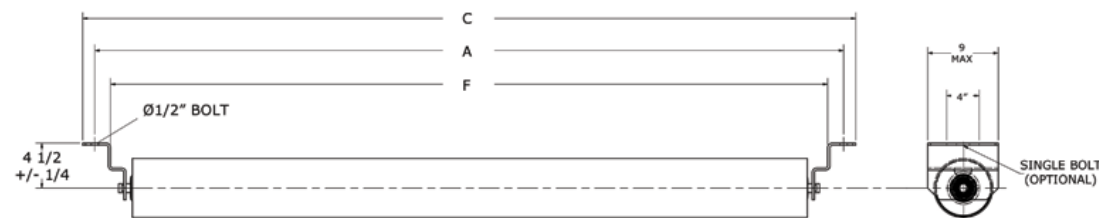
## TROUGHING IDLER

HEAVY DUTY BELTING  
INDUSTRIAL SHEET RUBBER  
LIGHTWEIGHT BELTING  
AG BELTING

### Troughing Idler Dimensions:



### Return Idler Dimensions:



Belt Width	A Std Base	C Max	F Min
18	27	29 1/2	23
24	33	35 1/2	29
30	39	41 1/2	35
36	45	47 1/2	41
42	51	53 1/2	47
48	57	59 1/8	53

Belt Width	Trough Angle	E Max			H Max			K +/- 1/4"		
		Dia 4	Dia 5	Dia 6	Dia 4	Dia 5	Dia 6	Dia 4	Dia 5	Dia 6
18	20	10.75	11.25	0	22.5	22.5	0	8	8.5	0
18	35	12.5	13	0	21	21	3	8	8.5	0
24	20	11.5	12	12.75	28.5	28.5	27.5	8	8.5	9
24	35	13.75	14.25	14.75	26.5	26.5	25	8	8.5	9
30	20	12.5	12.75	13.5	34.5	34.5	33.5	8	8.5	9
30	35	15	15.5	16	32	32	30.5	8	8.5	9
36	20	13.25	13.5	14.25	40.5	40.5	39.5	8	8.5	9
36	35	16.25	16.75	17.25	37.5	37.5	36	8	8.5	9
42	20	14	14.5	15.25	46.5	46.5	45.5	8.5	9	9.5
42	35	17.75	18.25	18.75	43	43	41.5	8.5	9	9.5
48	20	15	15.5	16.25	52.5	52.5	51.5	8.5	9	9.5
48	35	19	19.75	20	48.5	48.5	47	8.5	9	9.5
54	20	16.75	16.5	17.25	58.5	58.5	57.5	8.75	9.25	9.75
54	35	20.25	21	21.25	49	49	47.5	8.75	9.25	9.75
60	20	17.75	18.5	19.25	64.5	64.5	63.5	8.75	9.25	9.75
60	35	21.5	22.25	22.5	59.5	59.5	58	8.75	9.25	9.75

## TROUGHING IDLER

HEAVY DUTY BELTING  
INDUSTRIAL SHEET RUBBER  
LIGHTWEIGHT BELTING  
AG BELTING

**IN STOCK  
AND**



**READY TO  
SHIP**



**ASAP!**